



Vacuum Packers Vacuum packer 16m³/h table top

ITEM # _____

MODEL # _____

NAME # _____

SIS # _____

AIA # _____



602186 (DVP16D)

Vacuum Packer, 16 m³/h,
table top, digital display

Short Form Specification

Item No. _____

Table top model in 304 AISI stainless steel with domed transparent PMMA Plexiglas lid. With absolute-type vacuum sensor for vacuum level control, no calibration needed. Pressure chamber with rounded corners for easy cleaning. Digital control panel with 10 editable user programs (vacuum, extra vacuum, sealing time, gas percentage), including cycle for jars. External vacuum in bags or containers possible. Display shows alarm messages if malfunctions are detected (e.g. oil cleaning cycle needed). 2 PE filling plates included. Sealing bar length 410mm. Easy access for service through hinged opening of the body. Optional Bluetooth label printer available, for HACCP compliance.

Main Features

- Table-top vacuum packer with oil lubricated vacuum pump.
- Vacuum level control through high-precision, absolute-type vacuum sensor, which does not require calibration.
- Pressure chamber made of constant thickness, hydroformed, stainless steel with rounded corners for easy cleaning.
- Sturdy, transparent PMMA (plexiglass) lid with rounded edges; opens automatically at the end of the cycle.
- Control panel, resistant to liquids, humidity, dirt and dust.
- 10 editable user programs (vacuum, extra vacuum, sealing time, gas percentage).
- 1 vacuum cycle for jars/containers.
- Adjustable sealing time 0.1 to 6 seconds.
- Specific pump oil cleaning cycle (H2Oout).
- Automatic warnings if food needs cooling down (hot), failure in the packing process, gas missing, oil change.
- 3 PE filling plates included.
- Pre-arranged for external vacuum packing in containers by connecting a specific pipe to the air extraction nozzle (available as spare part).
- Sealing bar 410 mm, easily removable for cleaning.
- Unit pre-arranged to be connected to an inert gas system.

Construction

- Entirely constructed in 304 AISI stainless steel.
- Easy access for service through hinged opening of the body.

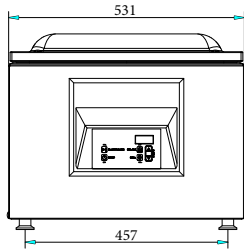
APPROVAL: _____



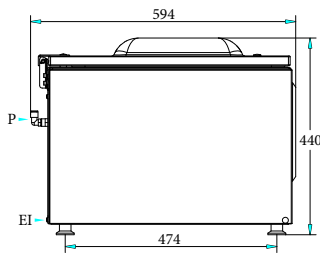
Vacuum Packers

Vacuum packer 16m³/h table top

Front

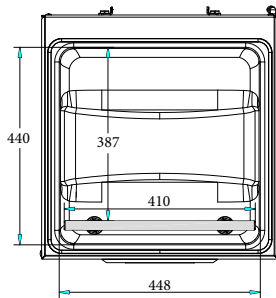


Side

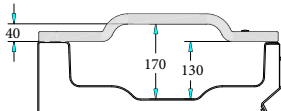


EI = Electrical inlet (power)

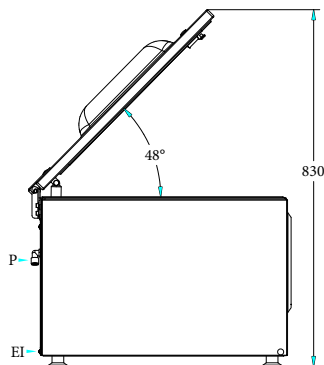
Top



Other



Perspective



Electric

Supply voltage: 220-240 V/1N ph/50-60 Hz
Total Watts: 0.8 kW

Key Information:

Filling board nr: 3
Gas nozzles: 2
External dimensions, Width: 531 mm
External dimensions, Depth: 594 mm
External dimensions, Height: 440 mm
Net weight (kg): 61
Well Capacity: 25.2 lt
Pump: 16 m³/h
Sealing bar position: Front
Sealing bar length: 410 mm
Max chamber (chamber + cover) dimensions: 440 x 448 x 170 mm
Chamber working dimensions: 387 x 448 x 130 mm

Vacuum Packers
 Vacuum packer 16m³/h table top

The company reserves the right to make modifications to the products without prior notice. All information correct at time of printing.

2025.05.12

